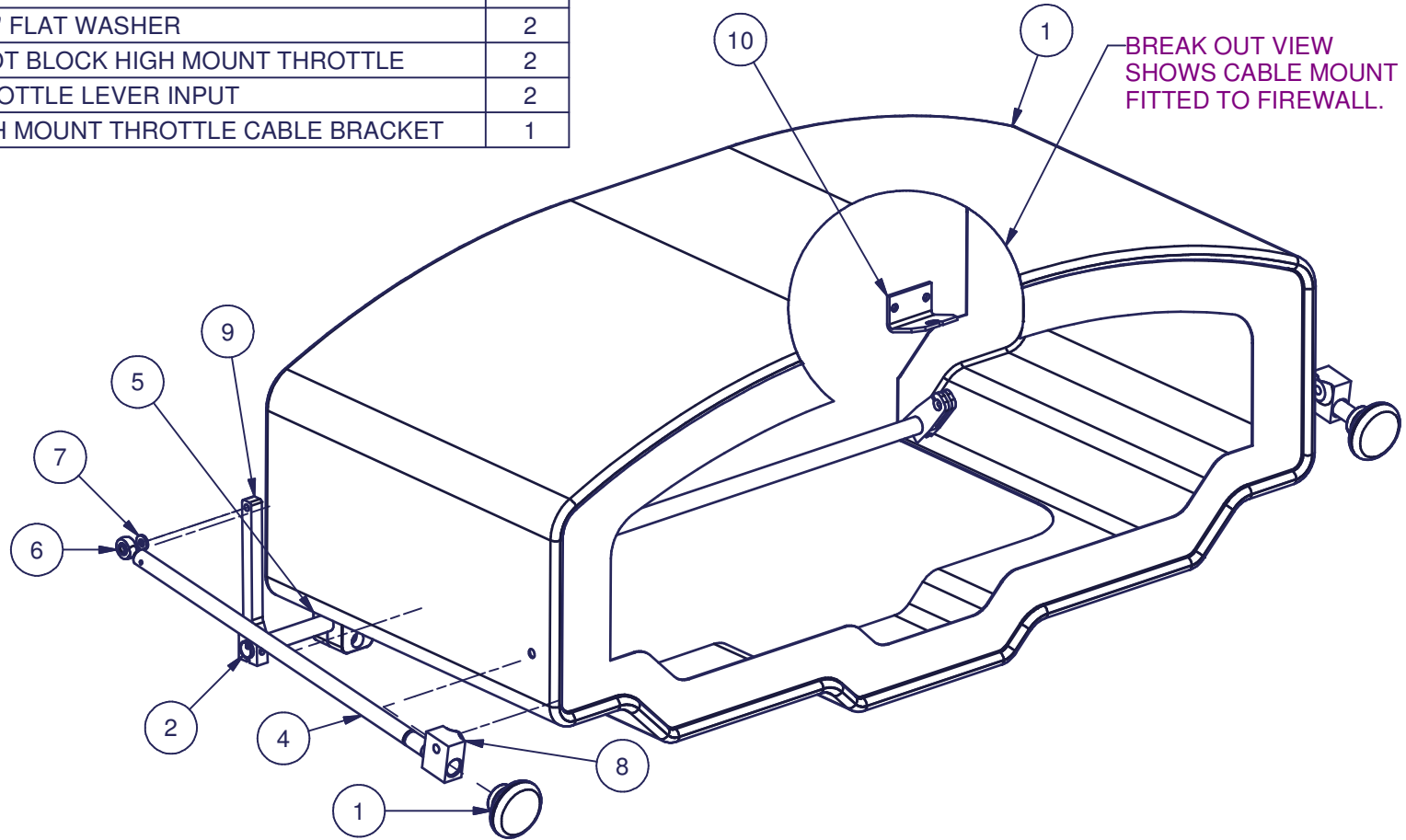


Parts List			
ITEM	PART NUMBER	DESCRIPTION	QTY
1	3A005B0D	HIGH MOUNT THROTTLE KNOB	2
2	3A005C0D	HIGH MOUNT THROTTLE CROSS SHAFT	1
3	3067134	OUTPUT LEVER THROTTLE - JABIRU	1
4	3A005E0D	PUSH ROD SHAFT - HIGH MOUNT THROTTLE	2
5	PZ0059N	TUBE CLAMP	4
6	PB0009N	3/16" MALE ROD END	2
7	AN960-10	3/16" FLAT WASHER	2
8	3A005F0D	PIVOT BLOCK HIGH MOUNT THROTTLE	2
9	3022094	THROTTLE LEVER INPUT	2
10	3A005D0D	HIGH MOUNT THROTTLE CABLE BRACKET	1



BREAK OUT VIEW
SHOWS CABLE MOUNT
FITTED TO FIREWALL.

PROJECTION 	DIMENSIONS IN MILLIMETRES	DO NOT SCALE	AVTECH P/L A.C.N. 010 786 973 HINKLER AIRPORT BUNDABERG 4670	THIS DRAWING IS COPYRIGHT AND MUST NOT BE COPIED WITHOUT THE CONSENT OF AVTECH PTY LTD	SCALE NTS	1 ISS.	21/7/03 DATE
LIMITS UNLESS SPECIFIED OTHERWISE ± +/-1	DRAWN DS	APPR.	TITLE HIGH MOUNT DUAL THROTTLE ASSY - J SERIES	DWG. No. 3A005A0D-1		SHEET 1 OF 1 A4	
MATERIAL REFER TO PART DRAWINGS							